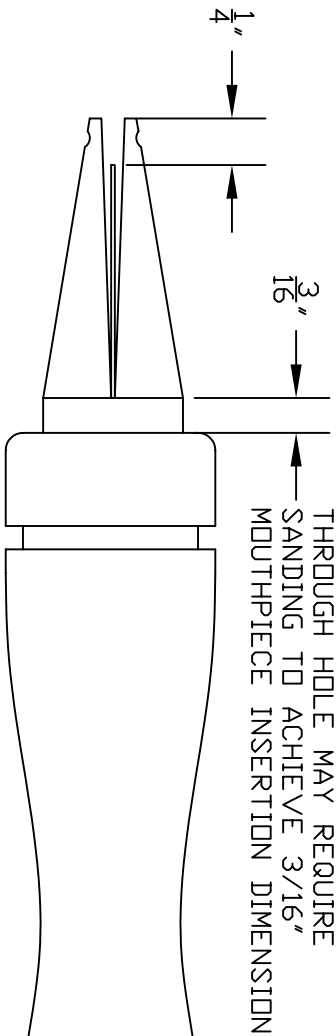


THROUGH HOLE MAY REQUIRE  
SANDING TO ACHIEVE 3/16"  
MOUTHPIECE INSERTION DIMENSION



CUSTOM SAWING  
CADIZ, KENTUCKY

CROW CALL  
TYPICAL BARREL &  
ASSEMBLY DIMENSIONS

REV. - 0      OCT. 5, 2003